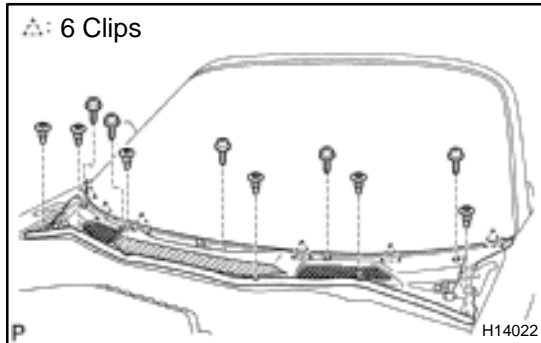


## REMOVAL

### 1. REMOVE WIPER ARMS

Remove the 2 wiper arm head caps, 2 nuts and 2 wiper arms.



### 2. REMOVE COWL TOP VENTILATOR LOUVER

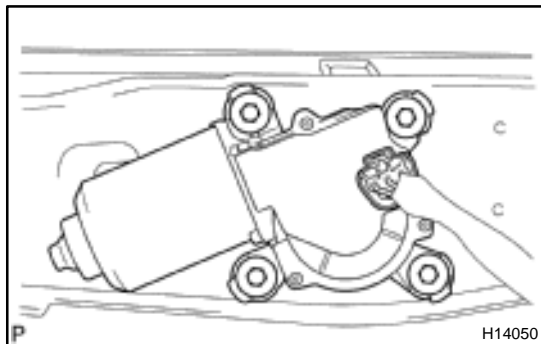
- Remove the 6 clips and 5 screws.
- Using a screwdriver, remove the cowl top ventilator louver.

#### HINT:

Tape the screwdriver tip before use.

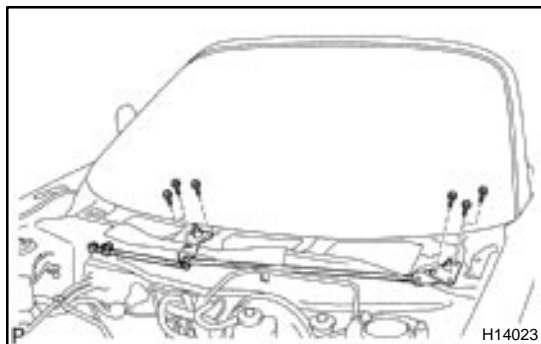
### 3. REMOVE LUGGAGE COMPARTMENT TRIM BOX COVER

### 4. REMOVE TOOL BOX



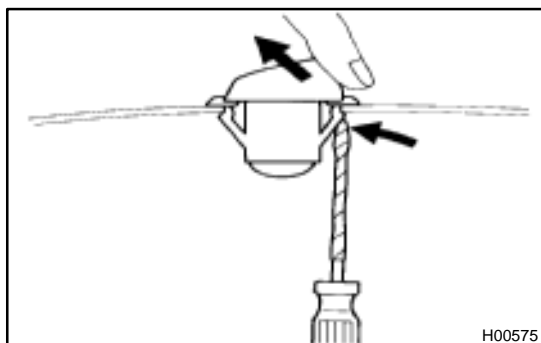
### 5. REMOVE WIPER MOTOR ASSEMBLY

- Disconnect the connector.
- Remove the 4 bolts and disconnect the wiper motor assembly.
- Disconnect the wiper link from the wiper motor assembly.



### 6. REMOVE WIPER LINK ASSEMBLY

Remove 6 bolts and wiper link.



### 7. REMOVE WINDOW WASHER NOZZLE

- Remove the hose from the nozzle.
- Using a screwdriver, remove the nozzle.

#### HINT:

Tape the screwdriver tip before use.

- Employ the same manner described above to the other side.